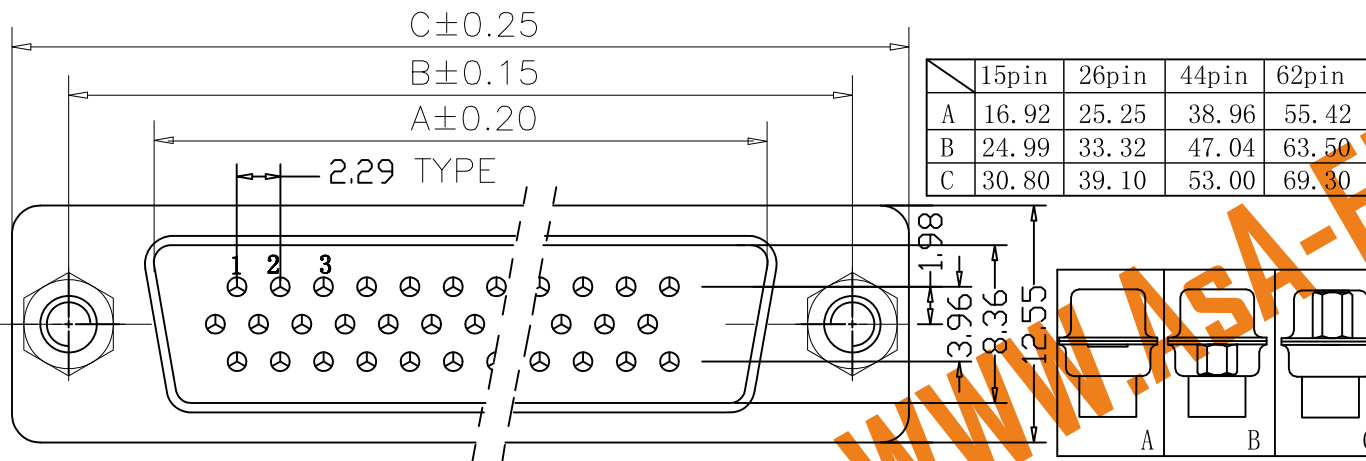


D-SUB Male Three Row Crimp Type (stamped Pin)

ROHS COMPLIANT



Material (材料):

Housing (塑胶): Temperature Thermoplastics, PBT+G.F UL 94V-0

Contact (端子): Brass or Bronze

Shell (壳): 0.35T Steel Nickel Plating All Area

Electical Characteristics (电气性能):

Current Rating (额定电流): 5A

Contact Resistance (接触阻抗): 20 milliohms Max

Withstanding Voltage (耐电压): 500V AC For 1 Minute

Insulation Resistance (绝缘阻抗): 1000 Megohms Min

Operating Temperature (温度范围): -55° C to +105° C

Ordering Code:

HDC01 - M - X - A - 0 - B - S
 ① ② ③ ④ ⑤ ⑥ ⑦

① Three Row Crimp Type

② Contact Type:
M: Male

③ Contact NO.:
15=15pin 26=26pin
44=44pin 62=62pin

④ Mounting Option:
A: No accessories
B: Rear Rivet
C: Front Rivet

⑤ Accessories:

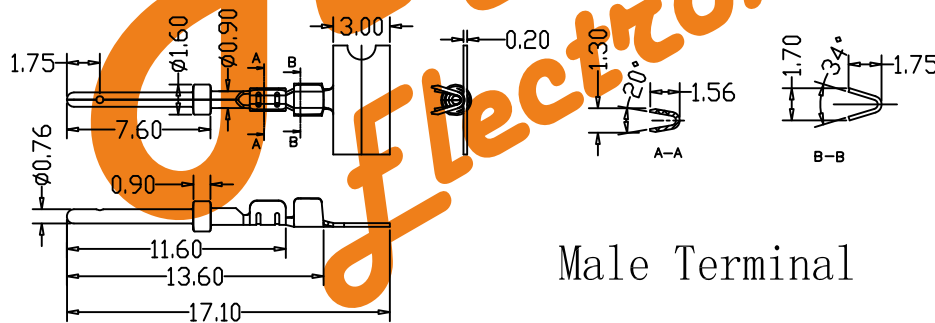
- 0: Non Accessories
- A: Zinc alloy 4.8mm Nickel
- Al: Zinc alloy 5.8mm Nickel
- B: Iron 4.8mm Nickel
- B1: Iron 5.8mm Nickel
- C: Copper alloy 4.8mm Nickel
- C1: Copper alloy 5.8mm Nickel
- D: Copper screw 4.8mm Nickel
- D1: Copper screw 5.8mm Nickel

⑥ Color Code:

- W: White L: Blue
- B: Black G: Grey

⑦ Contact Plating

- S: Selective Gold
- G0: Gold flash G1: 3u" Gold
- G2: 5u" Gold G3: 10u" Gold
- G4: 15u" Gold G5: 30u" Gold



Male Terminal

Unless Otherwise specified tolerance

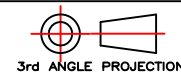
X±0.35
X.X±0.25
X.XX±0.20
X.XXX±0.15

SCALE: 1:1

UNIT:
mm

DRAWN: junfon H

CHECKED: YANG



AsA Electronic Co.

Tel : (+98) 21 66 73 56 82 Mob : (+98) 912 03 161 02

TITLE:
D-SUB Male Three Row Crimp Type
(stamped Pin)

DRAWING NO: HDC01-MXXXXX

PRODUCT NO: HDC01-MXXXXX

Add option of plating

11/3/1

DESCRIPTION

DATE

REV